

## Upgraded Coater Catch Cup (Consumables) for TEL Lithius Series (TEL/Tokyo Electron Limited Lithius, Lithius i, Lithius i+, Lithius Pro)

### Contents

#### 1. Overview of Upgraded Wafer Guide

- 1) Current Issues/Problems of Catch Cup Assembly at TEL Lithius Series
- 2) Solutions

#### 2. Product Details

#### 3. Benefits and Performances

- 1) Middle Catch Cup
- 2) Upper Cup

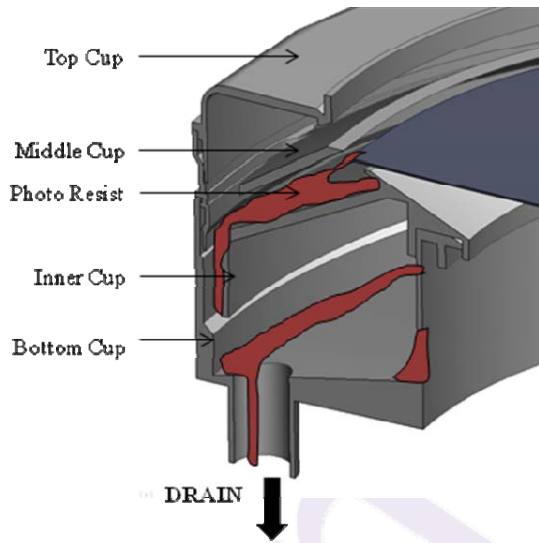


Note : Lithius and Clean Track Series is a trademark of TEL/Tokyo Electron Limited.

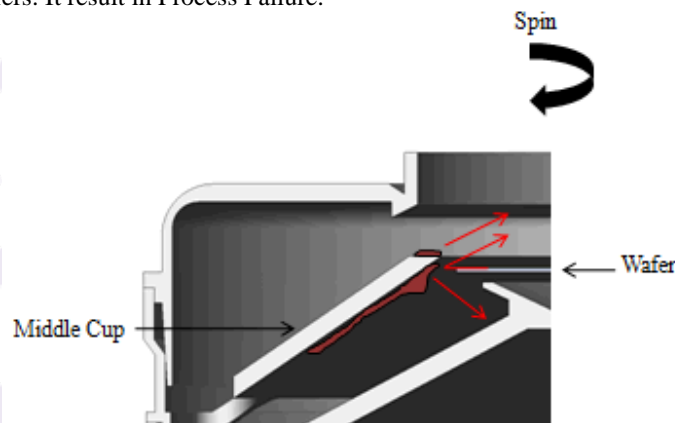
## 1. Overview

### 1) Current Issues/Problems of Catch Cup Assembly at TEL Lithius Series

- A. Photo Resist tends to stick to Catch Cup during Continuous Operation.
- B. Photo Resist also stick to the Window of Drain and Exhaust at Catch Cup Assembly.



- C. These Contaminated Photo Resist Stains are the root-cause of Rebounded Particles and Defects over Process Wafers. It result in Process Failure.

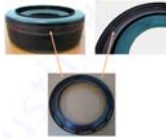


- D. User shall replace or clean out Catch Cup Assembly frequently.  
It seriously affect Machine Down Time.

## 2) Solutions

- A. We specially manufacture Middle Catch Cup with New Materials and Special Coating Technology.
- B. Performances of Upgraded Middle Catch Cup
  - a. Reduce Photo Resist Stains over the Window of Drain and Exhaust at Catch Cup Assembly
  - b. Enhance Process Performances
  - c. Minimize Machine Down Time and Consumables Cost by reducing PM Frequency.

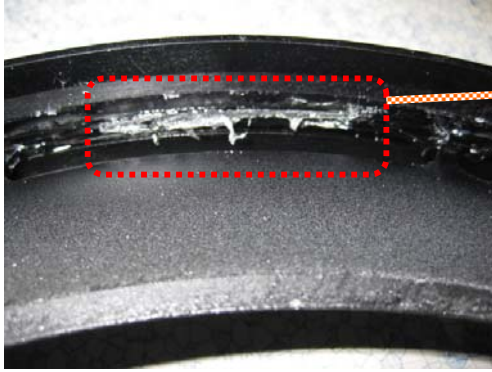
## 2. Product Details



**Please contact us for more details.**

### 3. Benefits and Performances

#### 1) As-is Middle Catch Cup (TEL Lithius)



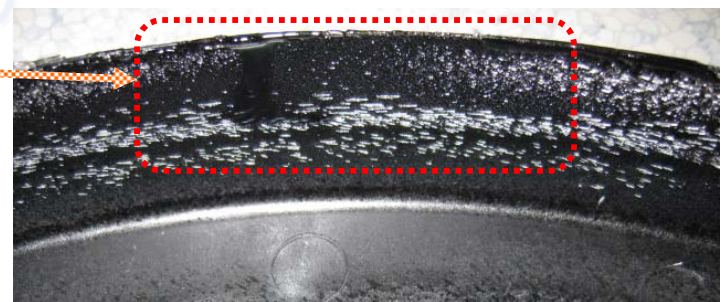
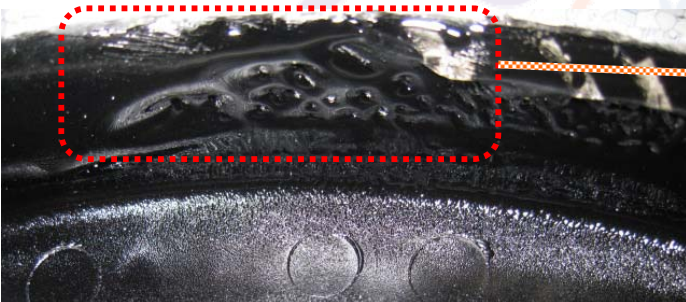
#### After Installation of Upgraded Middle Catch Cup



#### 2) As-is Upper Cup (TEL Lithius)

#### Upper Cup

#### After Installation of Upgraded Middle Catch Cup



Please contact [info@justinbdnl.com](mailto:info@justinbdnl.com) to inquire more details.